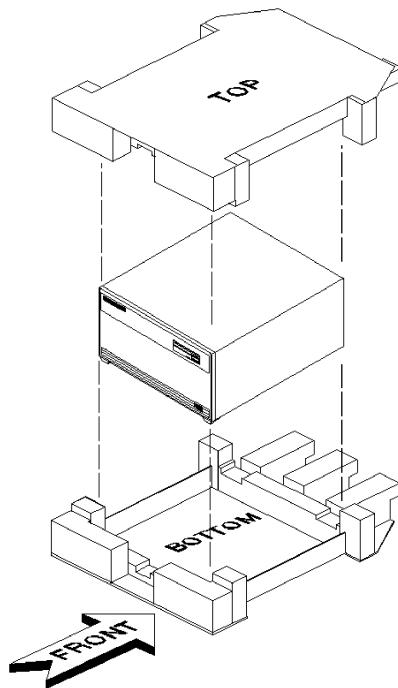

HP E8021A Conversion Kit Handling Instructions

- Receiving:**
- 1 Do not discard this shipping box! Please forward this shipping box and its components to the end user. The box will be used to return equipment to a Hewlett-Packard service center.
- End-User:**
- 1 Do not discard this shipping box! Use the shipping box to return your HP 16700A to be converted.
 - 2 Contained inside are the components required to convert your HP 16700A. Do not remove these components.
 - 3 Address the box to your nearest HP Service Center. In the United States, you can get the address of the nearest HP Service Center by calling 1-800-403-0801. Outside the United States, please contact your HP Sales Office.
- IMPORTANT!** Make sure you include your name, mailstop, company, and full return address on the invoice to the service center and on a label on the shipping box to assure return delivery.
- 4 Pack your HP 16700A in the shipping box according to Figure 1 using the enclosed packing materials .

Figure 1



Note

A small box is contained inside that was used as a filler for shipping purposes. This small box may be discarded.



Do not print this side. In the published copy, this side is in Japanese and says the same thing as the first side.